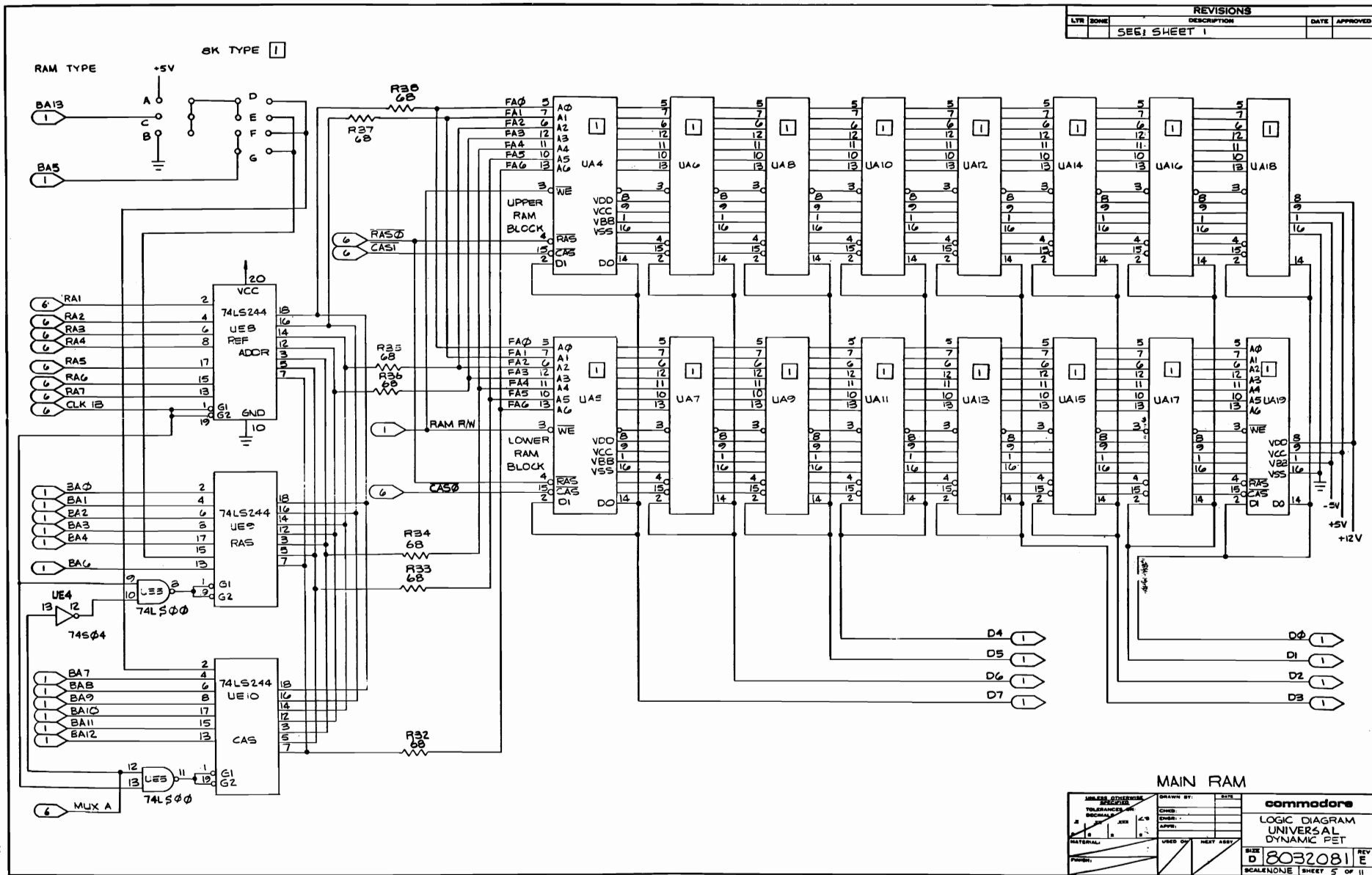


REVISIONS			
LTR	ZONE	DESCRIPTION	DATE APPROVED
SEG 1		SHEET 1	



MAIN RAM

UNLESS OTHERWISE SPECIFIED	DRAWN BY:	DATE:
TOLERANCES ARE	CHKD:	
DECIMALS	ENGR:	
	APPV:	
MATERIAL:	USED ON:	NEXT ASSY:
PROB:		

commodore
LOGIC DIAGRAM
UNIVERSAL
DYNAMIC PET

SIZE: D 8032081
SCALE: NONE SHEET 5 OF 11