

PART NO.	DESCRIPTION
8032080-01	UNIV. DYNAMIC PET 8032-60HZ
-03	4032-60HZ
-05	4016-60HZ
↓ -07	↓ 9000-60Hz

- 10 IDENTIFY WITH APPLICABLE DASH NO.
- 9 COMPONENT SIDE: SOLDER JUMPER WIRE TO IC PIN 21 UB13 TO PIN 8 OF UE6. SOLDER JUMPER WIRE TO IC PIN 3 UB1 TO PIN 6 OF UC3.
- 8 COMPONENT SIDE: CUT PIN 21 OF UB13
CUT PIN 3 OF UB1
- 7 SOLDER SIDE: BRIDGE SHORT PINS 10 & 11 OF UD2 PRIOR TO SOLDER WAVE.
COMPONENT SIDE: CUT PINS 10 & 11 OF UD2
- 6 SOLDER TO XTAL AND PCB.
- 5 FOR ITEMS 116 AND 117 ALL ASSEMBLIES MUST HAVE SAME VENDOR.
- 4 SOLDER JUMPER, ITEM 107 FROM E1 TO SILVER CONTACT ON MT 1, ITEM 69;
TAKE CARE TO ALLOW NO MORE THAN ONE SECOND DURATION FOR APPLICATION OF HEAT DURING SOLDERING.

REVISIONS				
LTR	ZONE	DESCRIPTION	DATE	APPROVED
A		PRODUCTION RELEASE	3/5/81	C. L. K.
B		REVISED PER ECO 2062	4/9/81	[Signature]
C		REVISED PER ECO 2066	4/15/81	[Signature]
D		REVISED PER ECO 2068	4/15/81	[Signature]
E		REVISED PER ECO 2087	5/24/81	[Signature]
F		REV PER ECO 2564 & 2556	8/1/82	[Signature]
G		REV PER ECO 2596	11/12/82	[Signature]
H		REV PER ECO 2700	5/20/82	[Signature]
J		REVISED PER ECO 2720	6/6/82	[Signature]

- 14 CUT TRACE FROM UC3/3 TO +5 ON COMP. SIDE: INSTALL JUMPER FROM UC3/3 TO UD3/2 ON SOLDER SIDE.
- 13 FOR SUBSTITUTE PART SEE PART SUBSTITUTION INDEX, PART NO. 321233.
- 12 REWORK INSTRUCTIONS FOR -07 & -08.
JUMPER WIRE FROM UE5 PIN 6 TO UB14 PIN 35. USE 22 AWG.
- 11 ADD JUMPER FROM CATHODE OF VR5 TO NEAREST LEAD OF R47.
- 3 SOLDER AT 3 PLACES, EQUALLY SPACED AROUND THE BRASS BASE MT (ITEM 69).
- 2 IDENTIFY WITH COMMODORE PART NO.
1. SHEET 6 OF 7 SIZE C, SHEET 7 OF 7 SIZE D.

NOTES: UNLESS OTHERWISE SPECIFIED:

commodore	TITLE: PCB ASSY, UNIV. DYNAMIC PET	DRAWN BY: M. AMES	DATE: 1-30-81	ENGR: [Signature]	3/5/81	SIZE: B	DRAWING NUMBER: 8032080
		CHKD: [Signature]	[Signature]	APPR: [Signature]		SHEET 1	OF 7

QUANTITY REQD PER PART / DASH NO.				ITEM	Q	PART NUMBER	DESCRIPTION	REF DES	BEND	NOTES
08	07	06	05	03	01					
1	1	1	1	1	1	D 8032079	PCB FAB, UNIV. DYNAMIC PET			
1	1	1	1	1	2	D 8032081	LOGIC DIAGRAM, UNIV. DYNAMIC PET			
					3					
1	1	1	1	1	4	B 901435-01	IC, 6502	UB14		
2	2	2	2	2	5	B 901436-01	, 6520	UB16, UB12		
1	1	1	1	1	6	B 901437-01	, 6522	UB15		
1	1	1	1	1	7	B 901479-01	, CRT CONTROLLER	UB13		
3	3	3	3	3	8	B 901521-01	, 74LS00	UD5, UE5, UE11		
1	1	1	1	1	9	B 901521-32	, 74LS86	UC2		SEE NOTE 13
1	1	1	1	1	10	B 901521-21	, 74LS02	UD1		
1	1	1	1	1	11	B 901521-02	, 74LS04	UE15		
2	2	2	2	2	12	B 901525-01	, 74S04	UD2, UE4		
2	2	2	2	2	13	B 901521-24	, 74LS10	UD4, UE13		
1	1	1	1	1	14	B 901522-01	, 7417	UD15		
1	1	1	1	1	15	B 901522-20	, 7425	UE14		
4	4	4	4	4	16	B 901521-11	, 74LS157	UC8-UC10, UE2		SEE NOTE 13
1	1	1	1	1	17	B 901521-16	, 74LS138	UC3		
2	2	2	2	2	18	B 901521-06	, 74LS74	UB1, UB2		
2	2	2	2	2	19	B 901525-09	, 74S74	UC1, UE1		
					20					
1	1	1	1	1	21	B 901521-09	, 74LS145	UC11		
1	1	1	1	1	22	B 901522-13	, 74154	UE12		
					23					
1	1	1	1	1	24	B 901521-28	, 74LS164	UE3		SEE NOTE 13
3	3	3	3	3	25	B 901522-03	, 74177	UD3, UE6, UE1		
					26					
1	1	1	1	1	27	B 901522-28	, 74166	UA2		
1	1	1	1	1	28	B 901465-22	, 2332	UD6		
1	1	1	1	1	29	B 901465-21	, 2332	UD8		
1	1	1	1	1	30	B 901465-20	, 2332	UD9		
1	1	1	1	1	31	B 901465-23	, 2332	UD10		
1	1	1	1	1	32	B 901447-10	, 2316	UA3		
1	1	1	1	1	33	B 901523-01	, LM555	UD16		
3	3	3	3	3	34	B 901524-01	IC, MC3446	UA20, UB17, UC12		
					35					
1	1	1	1	1	36	B 900462-21	CAP, CERAMIC AXIAL 22pF 50V	C54		SEE NOTE 13
3	3	3	3	3	37	B 900461-16	CAP, CERAMIC AXIAL .01uF 50V	C52, 60, 61		

commodore

TITLE: PCB ASSY,
UNIV. DYNAMIC PET

DRWN BY: M. AMES
CHKD: [Signature]

DATE: 1-30-81

ENGR: [Signature]

DATE: [Blank]

SIZE: B

8032080

REV: J

SHT: 27

QUANTITY REQD PER PART / DASH NO.								ITEM	Q	PART NUMBER	DESCRIPTION	REF DES	BEND	NOTES	
	08	07	06	05	04	03	02								01
	2	2	2	2	2	2	2	2	38	B	900461-20	CAP, CERAMIC AXIAL .022 μ F 50V	C3,4		
	53	53	53	53	53	53	53	53	39	B	900461-28	, CERAMIC AXIAL .1 μ F 50V	C12-15,18-22	25-50,53,55-59,62-72	
	5	5	5	5	5	5	5	5	40	B	900109-03	, LOW LEAK. ELECT. 10 μ F 25V	C1,16,17,23,24	SEE NOTE 13	
	4	4	4	4	4	4	4	4	41	B	900110-07	, LOW LEAK. ELECT. 1 μ F 50V	C6,8,10,51	SEE NOTE 13	
									42						
									43						
	1	1	1	1	1	1	1	1	44	B	900100-44	, ELECTROLYTIC 470 μ F 16V	C2		
	1	1	1	1	1	1	1	1	45	B	900100-45	, ELECTROLYTIC 4700 μ F 25V	C5		
	3	3	3	3	3	3	3	3	46	B	900101-37	CAP, ELECTROLYTIC 47 μ F 16V	C7,9,11		
									47						
									48						
									49						
	17	17	17	17	17	17	17	17	50	B	901550-01	RES, CARBON 1/4W \pm 5% 1K	R1-6,12,15,22,26,28,31,39,42-45		
	1	1	1	1	1	1	1	1	51	B	901550-02	3.3K	R14		
	2	2	2	2	2	2	2	2	52	B	901550-03	5.1K	R19,21		
	2	2	2	2	2	2	2	2	53	B	901550-20	10K	R23,27		
	1	1	1	1	1	1	1	1	54	B	901550-49	100 Ω	R40		
	5	5	5	5	5	5	5	5	55	B	901550-58	470 Ω	R13,16,17,29,30		
	1	1	1	1	1	1	1	1	56	B	901550-64	10 Ω	R8		
	2	2	2	2	2	2	2	2	57	B	901550-69	1.5K	R47,48		
	2	2	2	2	2	2	2	2	58	B	901550-84	1M	R24,25		
	2	2	2	2	2	2	2	2	59	B	901550-85	2.4K	R18,20		
	2	2	2	2	2	2	2	2	60	B	901550-90	27 Ω	R10,11		
	1	1	1	1	1	1	1	1	61	B	901550-93	39 Ω	R7		
	9	9	9	9	9	9	9	9	62	B	901550-94	RES, CARBON 1/4W \pm 5% 68 Ω	R32-38,46,49		
									63						
	1	1	1	1	1	1	1	1	64	B	902419-66	RES NETWORK, DIP 14PIN 10K	UB11		
									65						
	2	2	2	2	2	2	2	2	66	B	902653-01	TRANSISTOR, NPN TIP 29	Q1,2		
	1	1	1	1	1	1	1	1	67	B	902550-01	TRANSISTOR PACK Q2T2222	UE16		
									68						
	1	1	1	1	1	1	1	1	69	B	907300-02	TRANSDUCER-PIEZO ACOUSTIC	MT-1		
									70						
	2	2	2	2	2	2	2	2	71	B	900941-01	DIODE, ZENER 7.5V	VR5,6		
	4	4	4	4	4	4	4	4	72	B	900750-01	DIODE, IN4001	CR1,5-7		
	1	1	1	1	1	1	1	1	73	B	900753-01	DIODE, 1N5402 3A/200V	CR3		
	2	2	2	2	2	2	2	2	74	B	900757-01	DIODE, BRIDGE 4A/50V	CR2,4	SEE NOTE 13	

commodore

TITLE: PCB ASSY,
UNIV. DYNAMIC PET

DRWN BY:
M. AMES
CHKD: *[Signature]*

DATE
1-30-81
APPR: *[Signature]*

ENGR:

DATE

SIZE
B

8032080

REV
J

SHT
37

QUANTITY REQD PER PART / DASH NO.										ITEM	Q	PART NUMBER	DESCRIPTION	REF DES	BEND	NOTES	
08	07	06	05	04	03	02	01			75							
										76							
										77							
1	1	1	1	1	1	1	1	1	1	78	B	901527-03	VOLTAGE REGULATOR, 7905, -5V/1.5A	VR1			TO-220
2	2	2	2	2	2	2	2	2	2	79	B	901528-03	VOLTAGE REGULATOR, LM340-5, +5V/1.5A	VR3,4			TO-3; SEE NOTE 13
1	1	1	1	1	1	1	1	1	1	80	B	901528-04	VOLTAGE REGULATOR, 7812, +12V/1A	VR2			TO-3
										81							
										82							
										83							
1	1	1	1	1	1	1	1	1	1	84	B	900556-02	CRYSTAL 16MHZ	Y1			
										85							
										86							
2	2	--	--	--	--	--	--	--	--	87	B	904150-04	SOCKET IC, LOW PROFILE -24 PIN	UA3, UD7			
--	--	4	4	4	4	4	4	4	4	88	B	904150-04	SOCKET, IC LOW PROFILE 24 PIN	UA3, UD7, UD11, UD12			
1	1	1	1	1	1	1	1	1	1	89	B	904150-06	SOCKET, IC LOW PROFILE 40 PIN	UB4			
										90							
1	1	1	1	1	1	1	1	1	1	91	B	903326-07	HEADER ASSY .100 CENTER	J10			7 PIN; REMOVE PIN 3 AT ASSEMBLY
2	2	2	2	2	2	2	2	2	2	92	B	903345-25	HEADER ASSY, DIAL ROW .100 CENTER	J4, 9			50 PIN
1	1	1	1	1	1	1	1	1	1	93	B	903316-09	HEADER ASSY .156 CENTER	J8			9 PIN; REMOVE PIN 7 AT ASSEMBLY
1	1	1	1	1	1	1	1	1	1	94	B	903331-07	HEADER ASSY, POLARIZED .100 CENTER	J11			7 PIN; REMOVE PIN 3 AT ASSEMBLY
1	1	1	1	1	1	1	1	1	1	95	B	903331-07	HEADER ASSY, POLARIZED .100 CENTER	J7			7 PIN; ORIENT OMITTED PIN TO PIN 6 POSITION
1	1	1	1	1	1	1	1	1	1	96	B	903331-20	HEADER ASSY, POLARIZED .100 CENTER	J5			20 PIN; ORIENT OMITTED PIN TO PIN 19 POSITION
										97							
1	1	1	1	1	1	1	1	1	1	98	B	320268-01	HEAT SINK				
1/2	1/2	1/2	1/2	1/2	1/2	1/2	1/2	1/2	1/2	99	B	904907-01	HEAT SINK, COMPOUND THERMAL				
										100							
6	6	6	6	6	6	6	6	6	6	101	B	906403-19	RIVET, DOME HEAD, OPEN END				
2	2	2	2	2	2	2	2	2	2	102	B	906404-04	RIVET, DOME HEAD, CLOSED END				
										103							
20	20	20	20	20	20	20	20	20	20	104	B	903781-01	22 AWG BARE WIRE ON TAPE+REEL				
										105							
1/2	1/2	--	--	--	--	--	--	--	--	106	B	903755-03	WIRE, INSULATED, #22 AWG				
1	1	1	1	1	1	1	1	1	1	107	B	903780-01	#30 WIRE WRAP WIRE, RED				
1	1	1	1	1	1	1	1	1	1	108	B	320086-02	BUS WIRE				
										109							
1	1	1	1	1	1	1	1	1	1	110	B	901521-13	IC, 74LS244	UB4-UB7, UB9, UB10, UD13, UD14, UE8, UE9, UE10			
1	1	1	1	1	1	1	1	1	1	111	B	901521-13	IC, 74LS244	UB4, UB5, UB9, UB10, UD13, UD14, UE8, UE9, UE10			

commodore

TITLE: PCB ASSY,
UNIV. DYNAMIC PET

DRWN BY:
M. AMES
CHKD: *[Signature]*

DATE
1-30-81

ENGR:
APPR:

DATE

SIZE
B

8032080

REV
J

SHT
4/7

QUANTITY REQD PER PART / DASH NO.								ITEM	Q	PART NUMBER	DESCRIPTION	REF DES	BEND	NOTES
08	07	06	05	04	03	02	01							
2	2	/	/	/	/	2	2	112	B	901521-29	IC, 74LS373	UB3, UB8		
/	/	1	1	1	1	/	/	113	B	901521-29	, 74LS373	UB3		
4	4	/	/	/	/	4	4	114	B	901453-02	, 2114	UC4-UC7		
/	/	2	2	2	2	/	/	115	B	901453-02	, 2114	UC4, UC5		
16	16	/	/	16	16	16	16	116	B	901470-01	, 4116	UA4-UA19		
/	/	8	8	/	/	/	/	117	B	901470-01	, 4116	UA5, UA7, UA9, UA11, UA13, UA15, UA17, UA19		
/	1	/	/	/	/	/	1	118	B	901474-03	, 2316	UD7		
/	1	/	/	/	/	/	1	119	B	901474-04	, 2316	UD7		
/	/	1	1	/	/	/	/	120	B	901499-01	, 2316	UD7		
/	/	1	1	/	/	/	/	121	B	901498-01	IC, 2316	UD7		
								122						
								123						
								124						
								125						
								126						
								127						
								128						
								129						
								130						
								131						
								132						
								133						
								134						
								135						
								136						
								137						
								138						
								139						
								140						
								141						
								142						
								143						
								144						
								145						
								146						
								147						
								148						

commodore

TITLE: PCB ASSY,
UNIV. DYNAMIC PET

DRWN BY:
M. AMES
CHKD:

DATE
1-30-81
7/5/87

ENGR:
APPR:

DATE

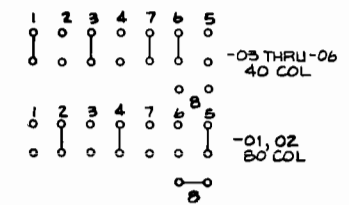
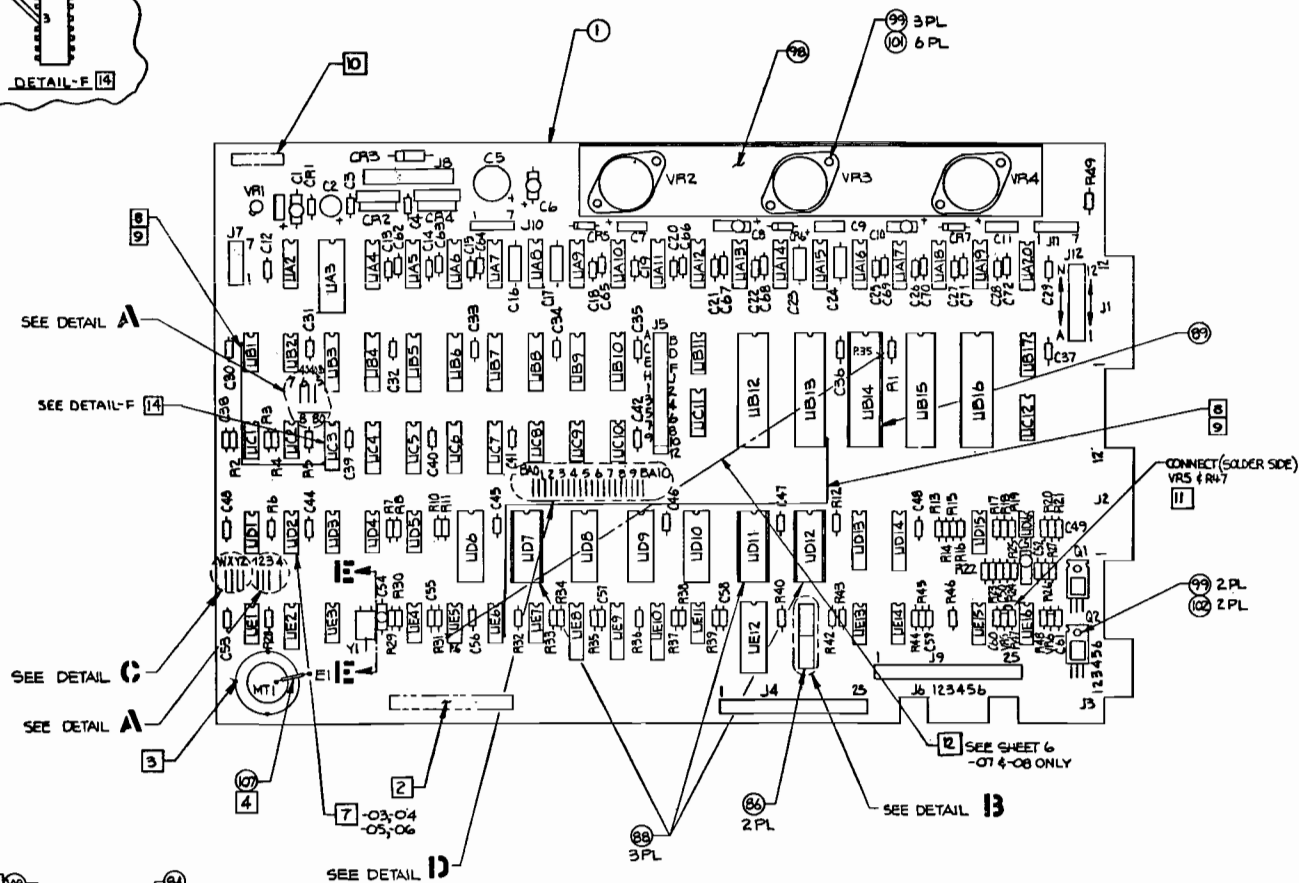
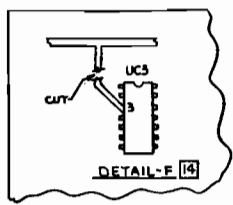
SIZE
B

8032080

REV
J

SHT
5/7

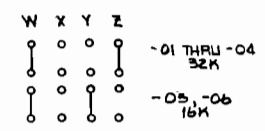
REVISIONS			
LTR	ISSUE	DESCRIPTION	DATE APPROVED
SEE SHEET 1			



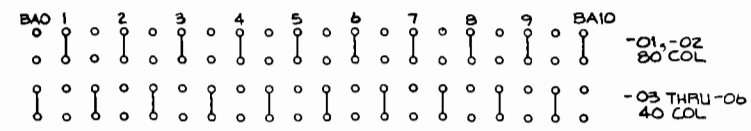
DETAIL A
SCALE: NONE
JUMPER CONFIGURATIONS
104



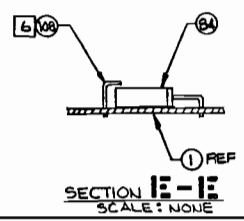
DETAIL B
SCALE: NONE
JUMPER CONFIGURATIONS
104



DETAIL C
SCALE: NONE
JUMPER CONFIGURATIONS
104



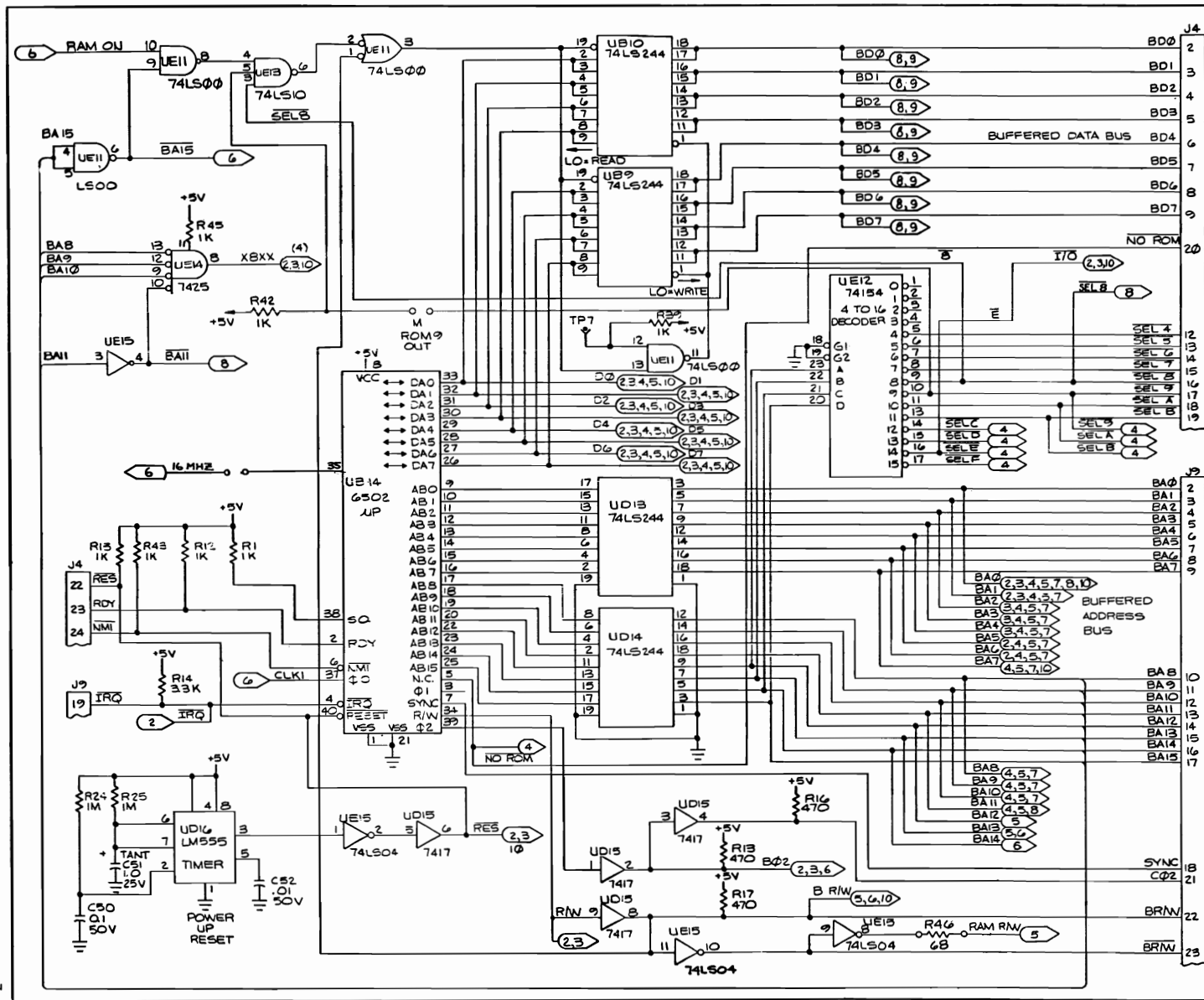
DETAIL D
SCALE: NONE
JUMPER CONFIGURATIONS
104



SECTION E-E
SCALE: NONE

UNLESS OTHERWISE SPECIFIED		DRAWN BY	DATE	commodore	
TOLERANCES	DECIMALS	M. JAMES	1/78	PCB ASSY-	
DIMENSIONS	INCH			UNIV. DYNAMIC PET	
MATERIAL				SIZE	REV
				D	8032080 J
		USED ON	NEXT ASST	SCALE	1/1 SHEET 7 OF 7

REVISIONS				
LTR	ZONE	DESCRIPTION	DATE	APPROVED
A		PRODUCTION RELEASE	7/1/81	[Signature]
B		REVISED PER ECO 2091	7/1/81	[Signature]
C		REV PER ECO 2574	7/1/81	[Signature]
D		REVISED PER ECO 2607	7/1/81	[Signature]
E		REV PER ECO 2596	7/1/81	[Signature]



MEMORY EXPANSION

MEMORY EXPANSION

- ALL CAPACITOR VALUES ARE MEASURED IN MICROFARADS.
- ALL RESISTOR VALUES ARE IN OHMS ±5% AND ARE 1/4 WATT.

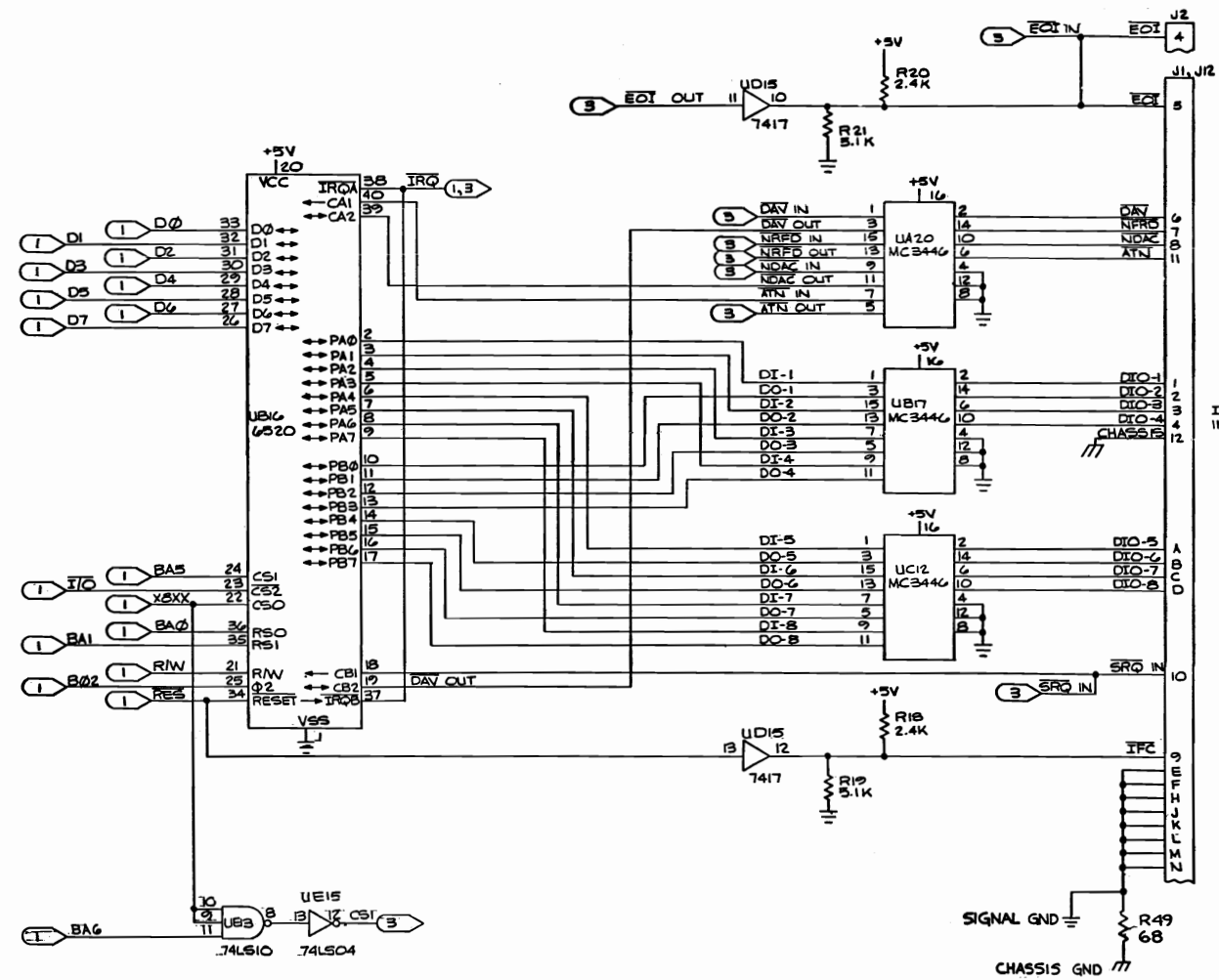
☐ REFER TO ASSEMBLY DRAWING NUMBER B032030.

NOTES UNLESS OTHERWISE SPECIFIED:

CPU + MEMORY EXPANSION

UNLESS OTHERWISE SPECIFIED		DRAWN BY: G. DANIELS 10/78		CHKD BY: [Signature]	
TOLERANCES	APPROX.	DATE	APPV	commodore	
1	±%	1/1/81	[Signature]	LOGIC DIAGRAM UNIVERSAL DYNAMIC PET	
MATERIAL		USED ON	NEXT Assy	SIZE D B032081 REV E	
PROJECT		PET	B032080	SCALE NONE SHEET 1 OF 11	

REVISIONS			
LTR	DATE	DESCRIPTION	APPROVED
---	---	SEE SHEET 1	---

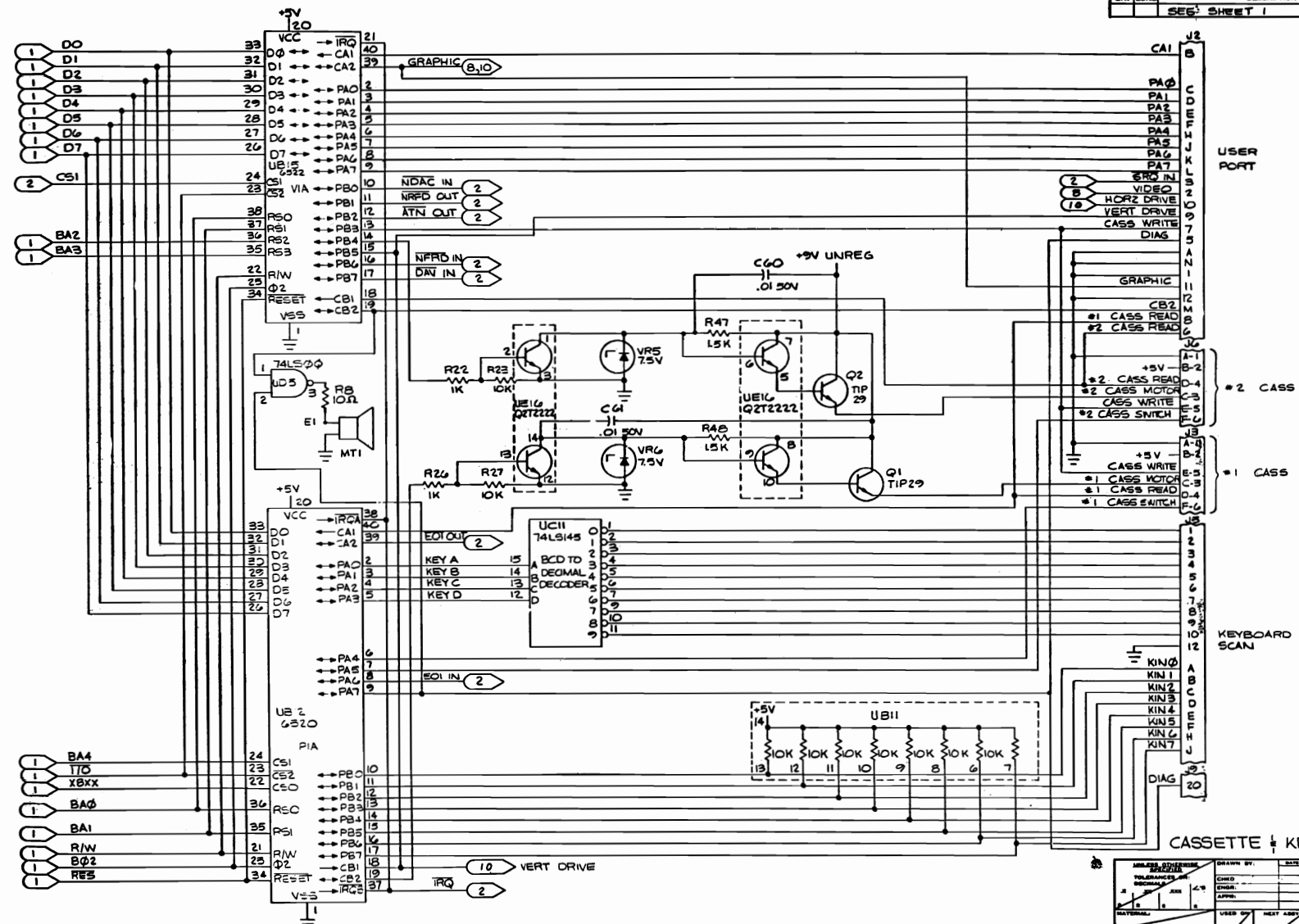


IEEE-488
INTERFACE

IEEE-488 INTERFACE

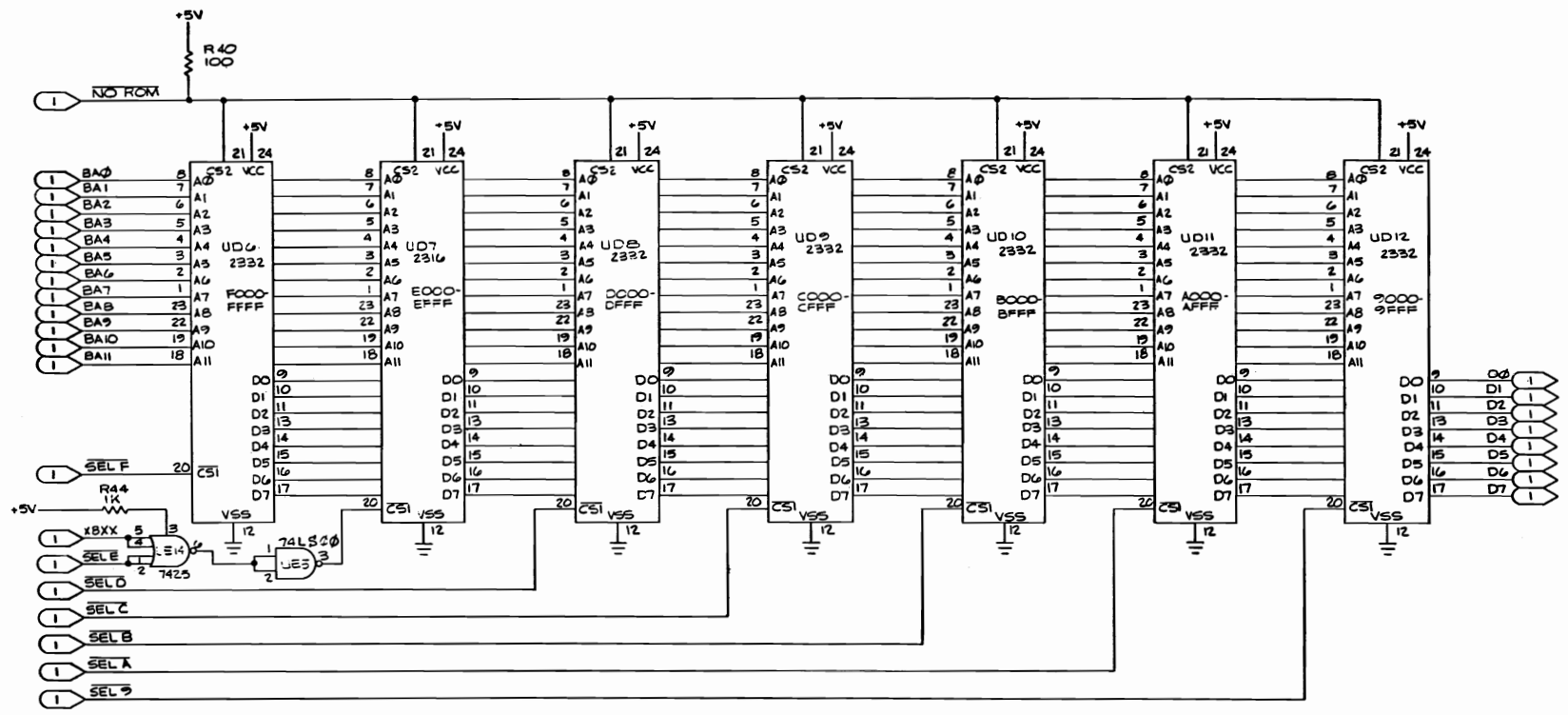
DRAWN BY: CHECKED: DATE: APPR: USED BY: NEXT ASS:	COMMODORE LOGIC DIAGRAM UNIVERSAL DYNAMIC PET SIZE: D 8032081 REV: E SCALE: NONE SHEET 2 OF 11
--	--

REVISIONS				
LT#	ZONE	DESCRIPTION	DATE	APPROVED
SEG. SHEET 1				



MADE IN U.S.A. TOLERANCES DIMENSIONS IN MILLIMETERS UNLESS OTHERWISE SPECIFIED	DRAWN BY: [] CHECKED BY: [] APPROVED BY: []	commodore LOGIC DIAGRAM UNIVERSAL DYNAMIC PET
PROJECT: [] PART: [] DATE: []	USED BY: [] NEXT JOB: []	SIZE: D 8032081 SCALE: NONE SHEET 3 OF 11

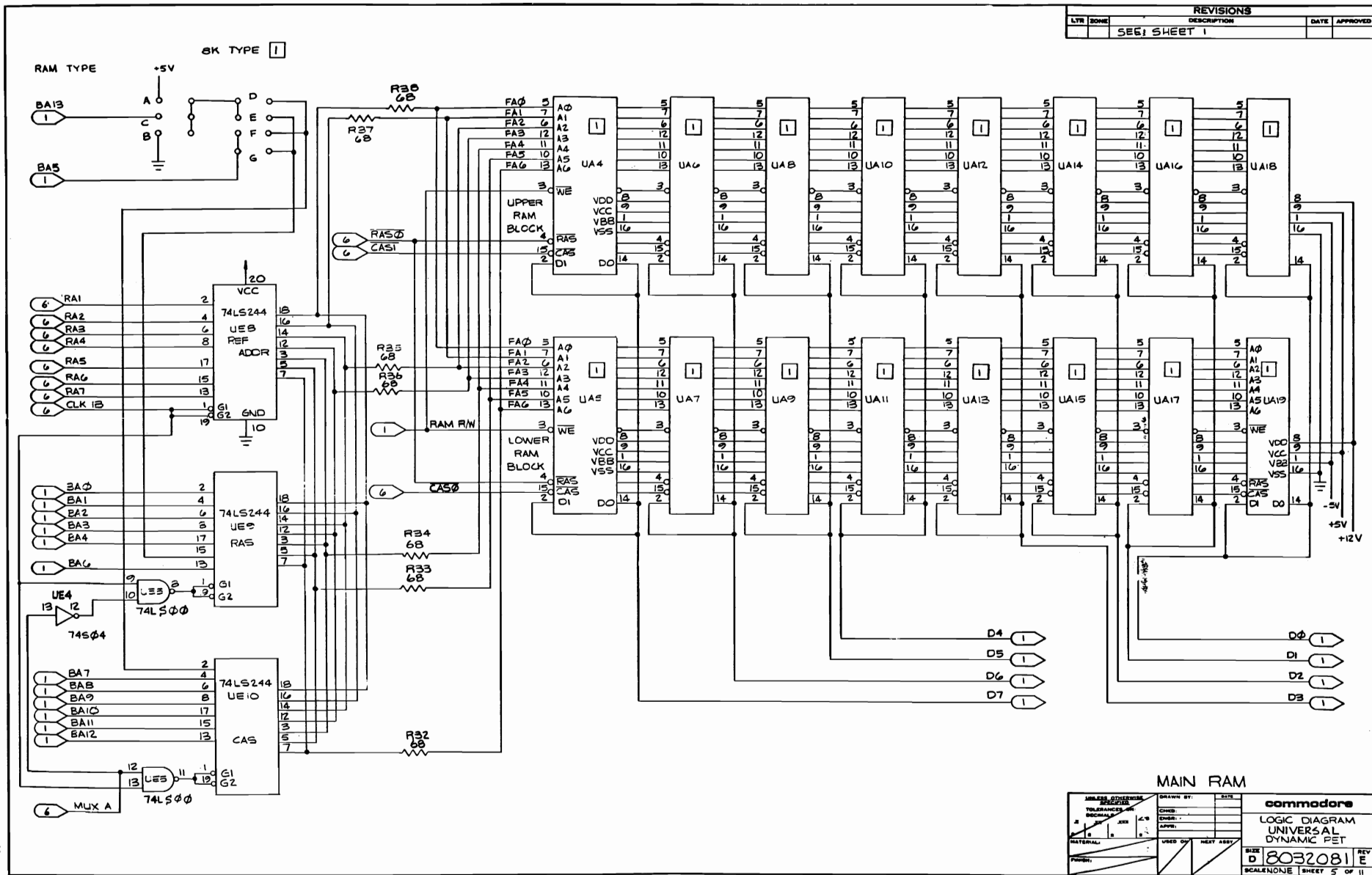
REVISIONS		
LTB	DATE	APPROVED
SEE SHEET 1		



ROMS

UNLESS OTHERWISE SPECIFIED TOLERANCES ARE: RESISTORS: 1% CAPS: 1% MATERIAL:	DRAWN BY: [] DATE: [] CHECKED BY: [] ENGR: [] APPR: [] USED ON: [] NEXT ASSY: []	COMMODORE LOGIC DIAGRAM UNIVERSAL DYNAMIC RAM SIZE D 8032081 SCALE 1/16" = 1" SHEET 4 OF 11
---	---	---

REVISIONS			
LTR	ZONE	DESCRIPTION	DATE APPROVED
		SEG1 SHEET 1	



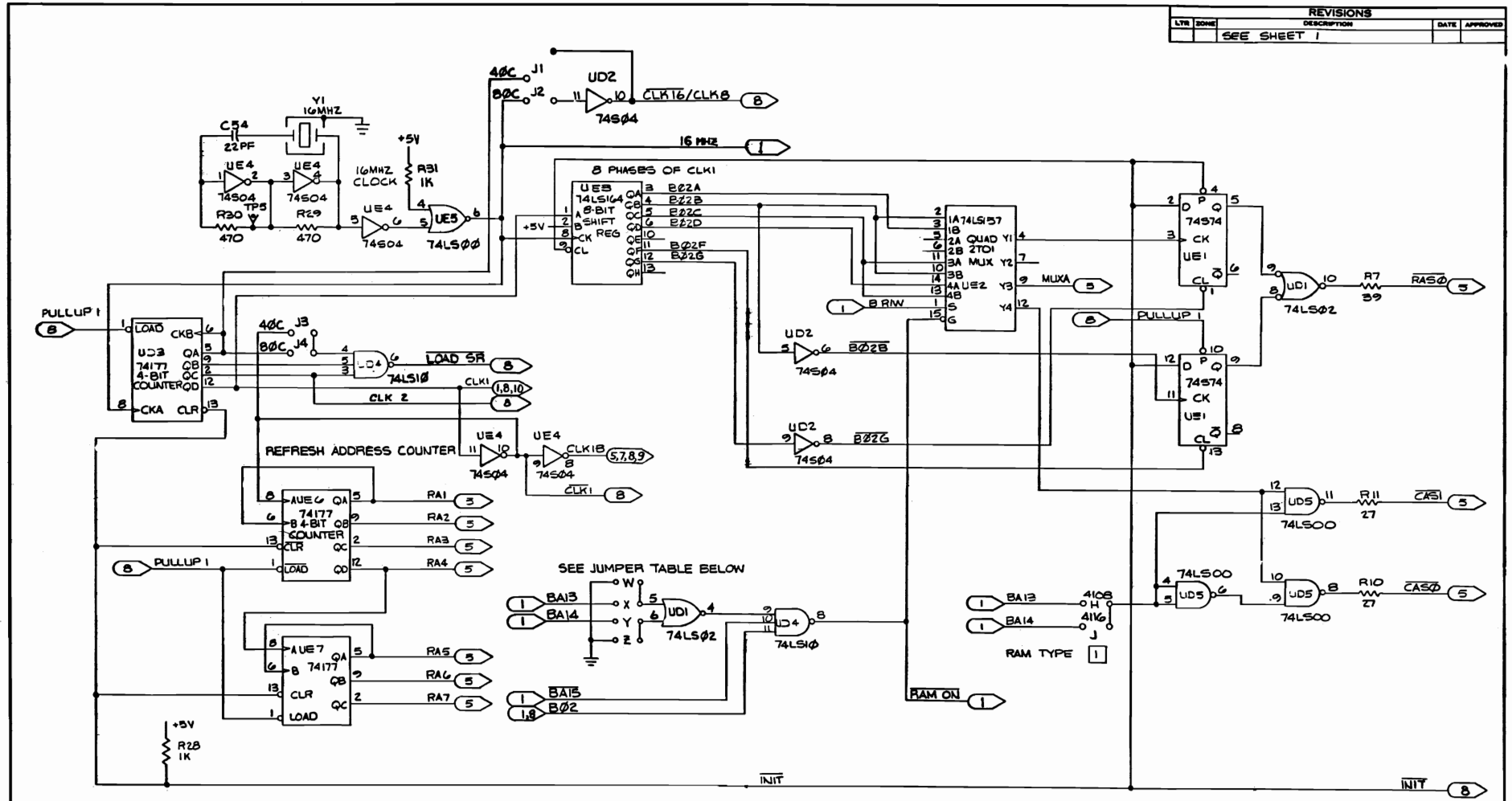
MAIN RAM

UNLESS OTHERWISE SPECIFIED	DRAWN BY:	DATE:
TOLERANCES ARE:	CHECKED:	
FRAC DEC INCH	ENGR:	
1/16 1/32 1/64	APPV:	
MATERIAL:	USED ON:	NEXT ASSY:
PROB:		

commodore
 LOGIC DIAGRAM
 UNIVERSAL
 DYNAMIC PET

SIZE: **D** 8032081
 SCALE: NONE SHEET 5 OF 11

REVISIONS			
LTR	ZONE	DESCRIPTION	DATE APPROVED
		SEE SHEET 1	



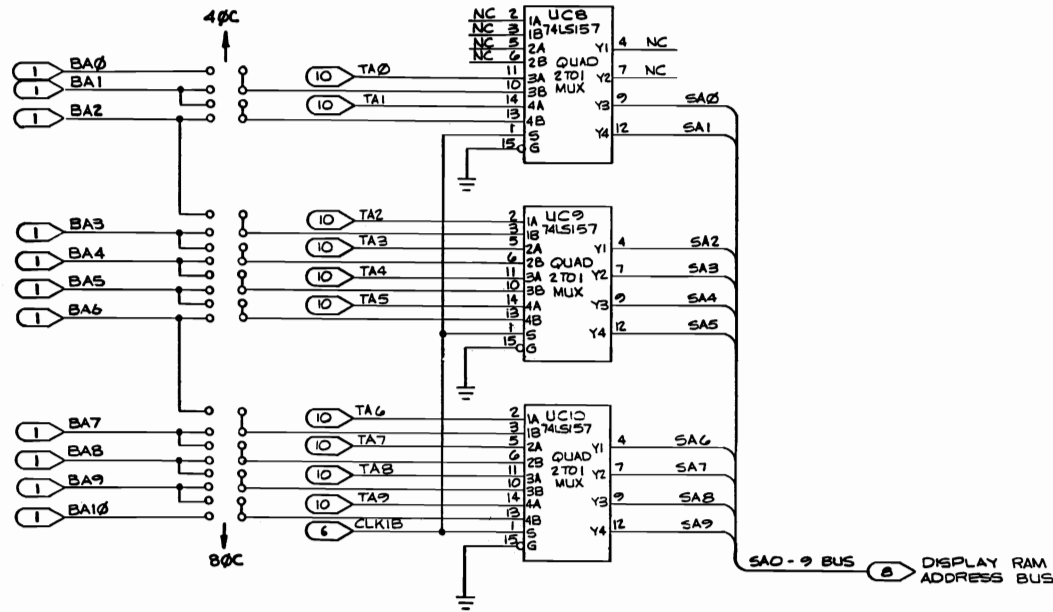
JUMPER TABLE

MEMORY JUMPERS			
	32K	16K	8K
W	○—○	○—○	○—○
X	○—○	○—○	○—○
Y	○—○	○—○	○—○
Z	○—○	○—○	○—○

MASTER TIMING

IMPLIES OTHERWISE SPECIFIED TOLERANCES UNLESS OTHERWISE SPECIFIED DIMENSIONS IN INCHES MATERIAL: _____ FINISH: _____	DRAWN BY: _____ CHECKED: _____ ENGINEER: _____ APPROVED: _____ USED ON: _____ NEXT ASSY: _____	commodore LOGIC DIAGRAM UNIVERSAL DYNAMIC PET SIZE D 8032081 REV E SCALE NONE SHEET 6 OF 11
--	---	---

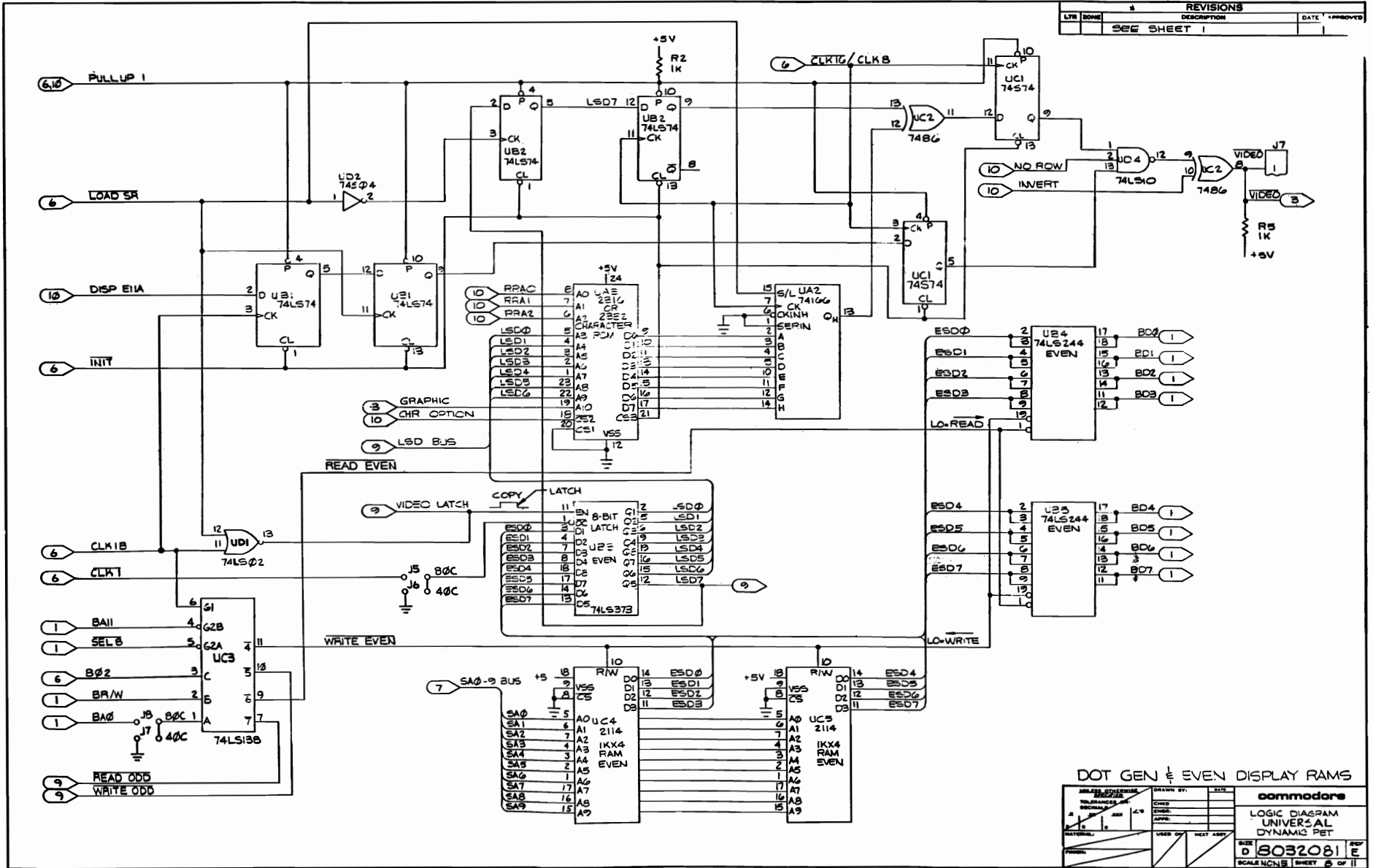
REVISIONS			
LTB	DATE	DESCRIPTION	APPROVED
		SEE SHEET 1	



DISPLAY ADDRESS MUX

DESIGNED BY	DATE	commodore
DRAWN BY	DATE	
CHECKED	DATE	LOGIC DIAGRAM UNIVERSAL DYNAMIC PET
APPROVED	DATE	
MATERIAL	USED ON	NEXT ASSY
PRINTED		
SIZE	D 8032081	REV E
SCALE	NONE	SHEET 7 OF 11

REVISIONS		
LT#	DATE	DESCRIPTION
1		SEE SHEET 1



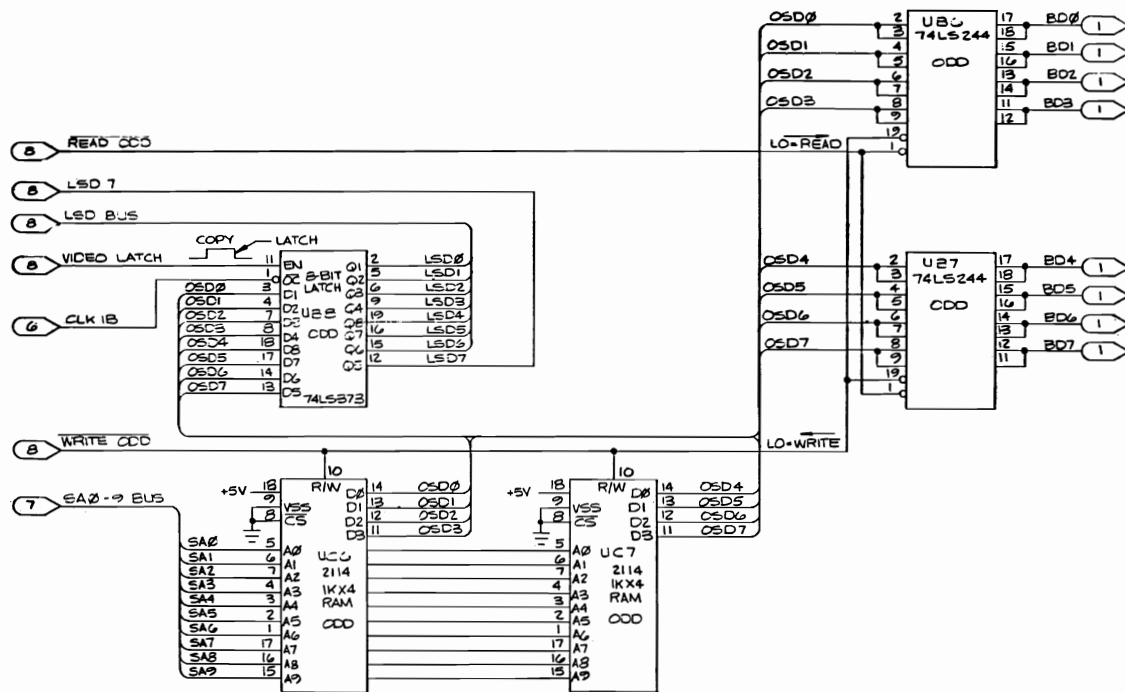
DOT GEN & EVEN DISPLAY RAMS

MILLER ELECTRONICS 1000 S. GARDEN ST. CHICAGO, ILL. 60606 PHONE: 312-434-1100	DRAWN BY: [] CHECKED BY: [] DATE: [] SCALE: NONE	DATE: [] APPROVED BY: [] TITLE: [] SHEET: 8 OF 11
--	--	---

COMMODORE
 LOGIC DIAGRAM
 UNIVERSAL
 DYNAMIC PET

SIZE: D 8032081
 SCALE: NONE SHEET 8 OF 11

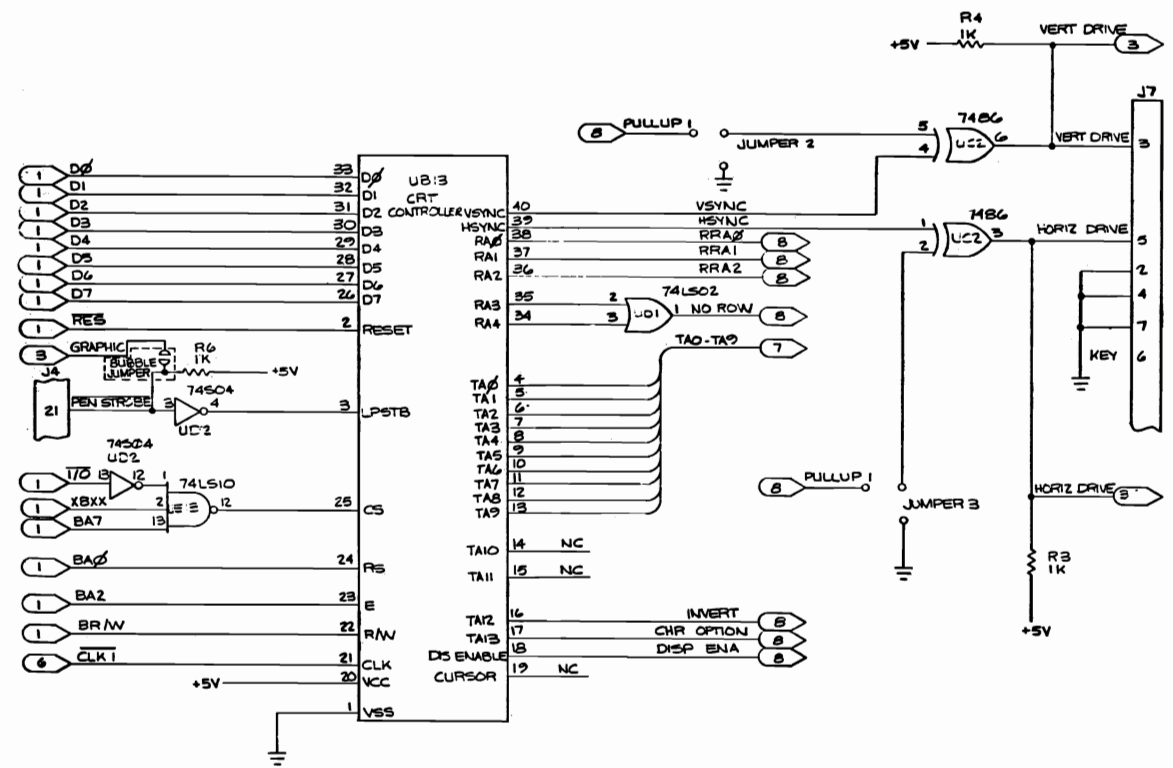
REVISIONS			
LTR	DATE	DESCRIPTION	APPROVED
		SEE SHEET 1	



ODD DISPLAY RAMS

UNLESS OTHERWISE SPECIFIED	DRAWN BY	DATE
TOLERANCES	CHECKED	
DECIMALS	DATE	
1 2 3 4 5 6 7 8 9 10	APPROVED	
MATERIAL	USED ON	HEAT SINK
FORMER		
commodore		
LOGIC DIAGRAM UNIVERSAL DYNAMIC PET		
SIZE	REV	
D 8032081	E	
SCALE NONE SHEET 9 OF 11		

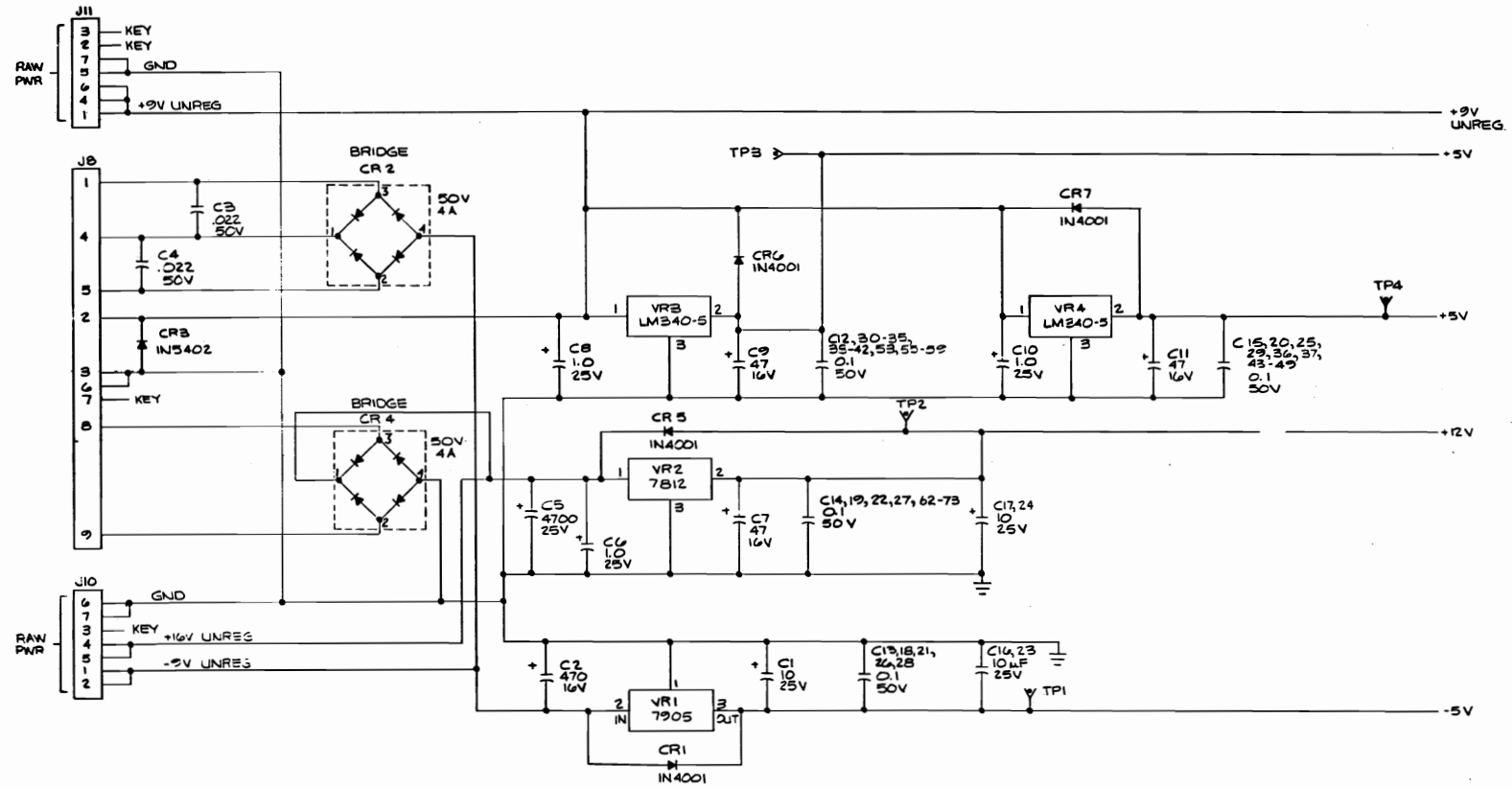
REVISIONS				
LV#	ZONE	DESCRIPTION	DATE	APPROVED
		SEE SHEET 1		



CRTC AND SYNC BUFFERS

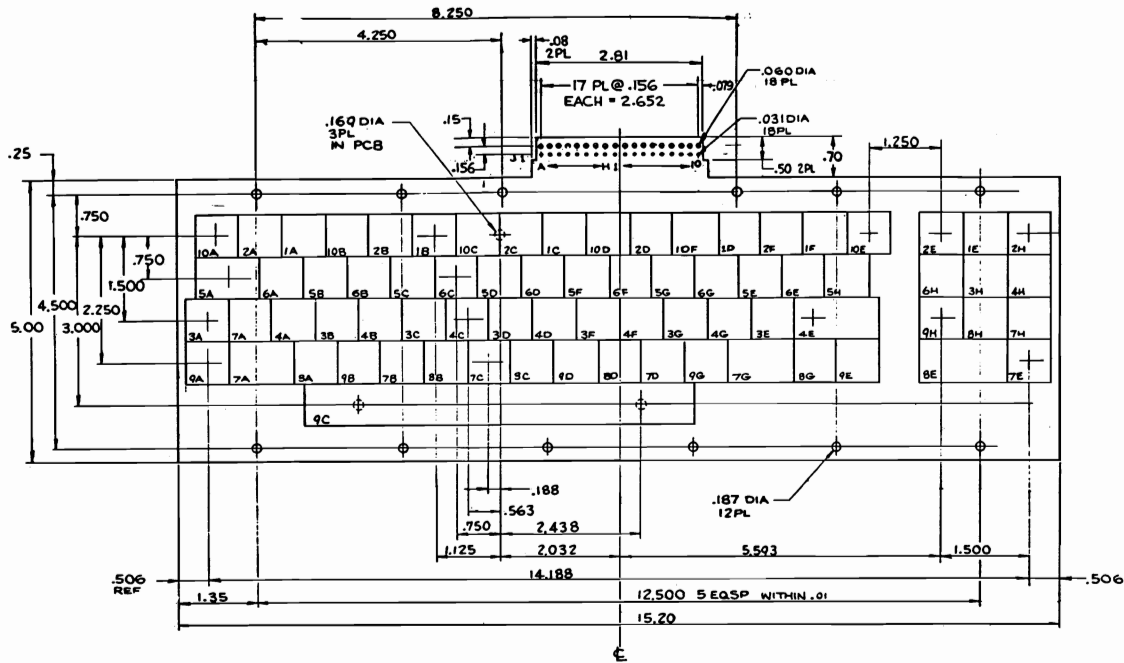
DESIGNED BY:	DATE:	COMMODORE LOGIC DIAGRAM UNIVERSAL DYNAMIC PBT
CHECKED BY:		
APPROVED BY:		
DATE:		
SCALE:	1:1	REV: E
SHEET:	10	OF 11

LTR ZONE		REVISIONS	DATE	APPROVED
		DESCRIPTION		
		SEE SHEET 1		



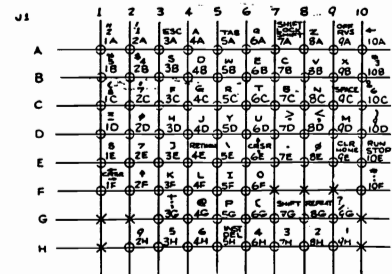
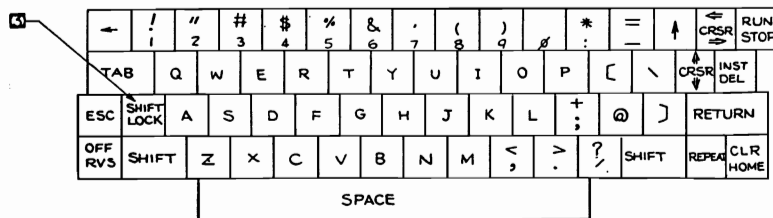
VOLTAGE REGULATOR

UNLESS OTHERWISE SPECIFIED	DRAWN BY:	DATE:	COMMODORE LOGIC DIAGRAM UNIVERSAL DYNAMIC PET
TOLERANCES ON DIMENSIONS:	ENG		
.5 .1 .05 .025	APP APP APP	USED ON NEXT ASSY	REV D 8032081 SCALE NONE SHEET 11 OF 11



LTR	BOME	DESCRIPTION	DATE	APPROVED
A		INITIAL RELEASE	11/77	[Signature]
B		PER ECO 825	7/81	[Signature]
C		PER ECO 1041	7/87	[Signature]
D		REV PER ECO 1874	8-16-88	[Signature]

- 1 CONTACT RESISTANCE SHALL NOT EXCEED
 1K Ω OVER LIFE OF CONTACT (10 MILLION OPERATIONS)
 2 CONTACT TO BE PROTECTED FROM
 CONTAMINATION OVER LIFE OF CONTACT
 3 KEYCAPS ARE TWO SHOT MOLDED
 4 KEYCAP COLOR DARK GRAY WITH WHITE LEGEND
 5 ALL KEYS ARE MOMENTARY ACTION EXCEPT FOR
 SHIFT LOCK KEY WHICH IS ALTERNATE ACTION
 6 KEYTAB ARTWORK TO BE APPROVED BY COMMODORE
 7 PCB MATL .062 ± .007 FRZ PAPER (ERA)
 8 GLASS ALL EPOXY 1OZ COPPER CLAD ON 1 SIDE
 NOTES : UNLESS OTHERWISE SPECIFIED



O = CONNECT
 X = NO CONNECT

UNLESS OTHERWISE SPECIFIED DIMENSIONS IN MILLIMETERS A 10 20 30 40 50 60 70 80 90 100 MATERIAL: 1.02 1.50 1.10 FINISH:	DRAWN BY: [Signature] CHECKED BY: [Signature] APPROVED BY: [Signature] DATE: 12-11-78 USED ON: [Blank] NEXT ASSY: [Blank]	COMMODORE 73 STATIONS KEYBOARD, BUSINESS SIZE D 320284 SCALE 1/1 SHEET 1 OF 1
--	--	--

PART NO.	DESCRIPTION
8032051-01	POWER SUPPLY ASSY, 8032 117V UL

REVISIONS				
LTR	ZONE	DESCRIPTION	DATE	APPROVED
A		PRODUCTION RELEASE	8/21/80	[Signature]
B		REV PER ECO 1935	12/15/80	[Signature]
C		REV PER ECO 2028	3/20/81	[Signature]
D		REV PER ECO 2284	10/16/81	[Signature]
E		REV. PER ECO 2177	6/25/82	[Signature]

- 6 REFER TO PART SUBSTITUTE INDEX P/N 321233.
- 5 SWITCH SHOWN IN 'OFF' POSITION.
- 4. ALL LEADS WILL HAVE A MINIMUM OF ONE WRAP AROUND TERMINALS PRIOR TO SOLDERING.
- 3 IDENTIFY WITH COMMODORE PART NO. 8032051 AND APPLICABLE DASH NO. LOCATE APPROX AS SHOWN.
- 2 DASH 04 CONFIGURATION SHALL BE USED FOR VDE, SEV + SEMKO.

1. SHEET 3 OF 3 SIZE D
ASSY DWG

NOTES - UNLESS OTHERWISE SPECIFIED:

commodore	TITLE: POWER SUPPLY ASSY, 8032	DRAWN BY: KCHRISTENSEN	DATE: 4/22/80	ENGR:	SIZE: B	DRAWING NUMBER: 8032051
		CHKD. FORMAT: R.P. SKK ONLY	DATE: 8-19-80	APPR:	SHEET:	OF: 3

QUANTITY REQD PER PART / DASH NO.				ITEM	Q	PART NUMBER	DESCRIPTION	REF DES	BEND	NOTES
				01						
				1						
				1	2	D 8032043-02	CHASSIS, POWER, UNIVERSAL			
				1	3	C 320902-01	TRANSFORMER	TI		SEE NOTE 6 FOR SUBSTITUTE
					4					
					6					
				1	7	B 900102-01	CAPACITOR 23,000 MFD	CI		
					8					
				1	9	B 903467-03	FILTER POWER CONNECTOR			
					11					
					12					
					13					
				1	14	B 320289-01	DYNAMIC PET POWER HARNESS			
					15					
				1	16	B 903557-04	FUSE, 125V SLO-BLO 1.6A	FI		
					18					
					19					
				1	20	B 903611-03	FUSE HOLDER	XFI		FOR SUBSTITUTE SEE NOTE 6
				1	21	B 904507-01	SWITCH, ROCKER	SWI		
					22					
					23					
					24					
				5	25	B 320479-02	TUBE, SHRINKABLE			
				3	26	B 320478-01	TUBE, SHRINKABLE			
				2	27	B 320059-01	LEAD WIRE (BLACK)			
					28					
					30	B 903612-02	FUSE CARRIER			FOR SUBSTITUTE SEE NOTE 6
				2	31	B 906630-03	SCREW, PAN HEAD, #10-32 x .250 LG			
				2	32	B 905650-03	WASHER, LOCK, INT TOOTH #10			
					33					
				1	34	C 320925-05	GROUND CABLE ASSY			
				2	35	B 906600-06	SCREW PAN HEAD #4-40 x .438 LG			
				2	36	B 905970-05	NUT KEPS #4-40			
					37					

commodore

TITLE: POWER SUPPLY ASSY, 8032

DRWN BY: K. CHRISTENSEN
 CHKD: N.P.
 DATE: 4-22-80
 8-19-80

ENGR:
 APPR:

DATE: SIZE: B

8032051

REV: E SHT: 2/3

REVISIONS				
LTR	ZONE	DESCRIPTION	DATE	APPROVED
		SEE SHEET 1		

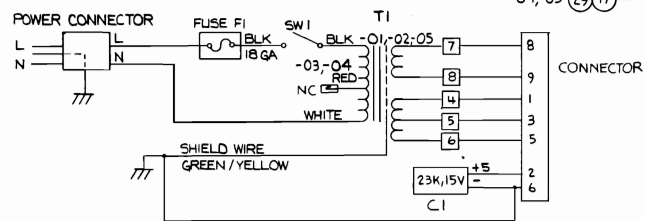
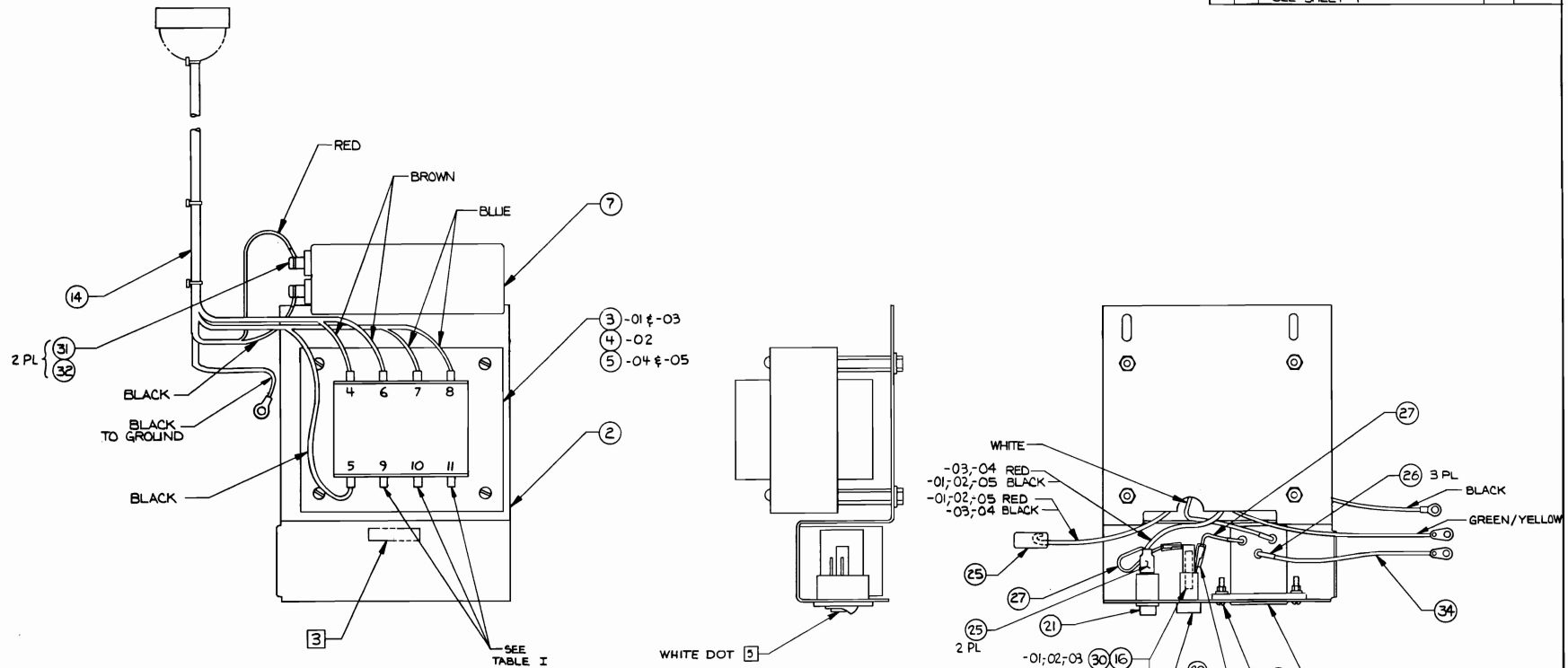


TABLE I

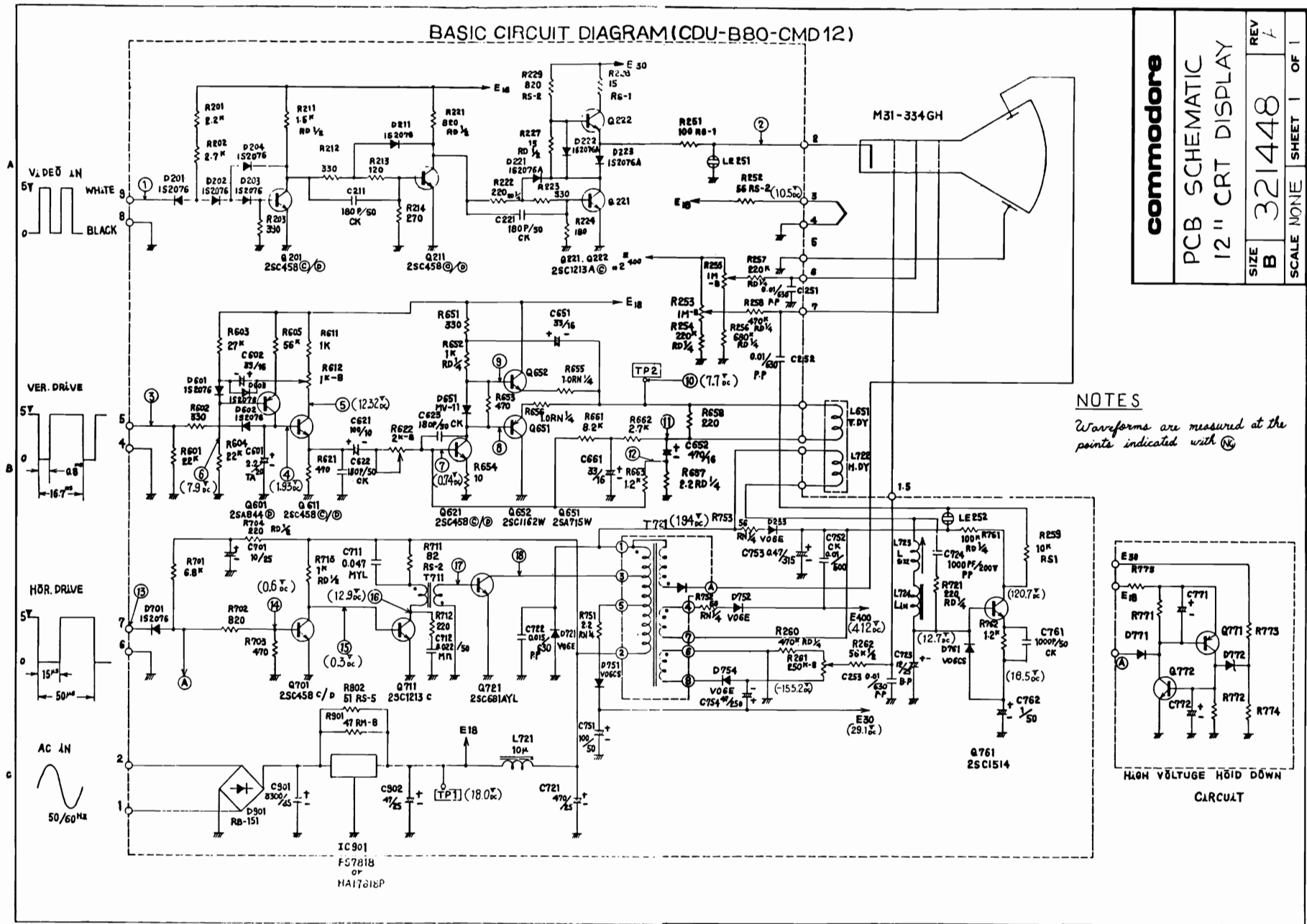
TERMINAL	VOLTAGE	USAGE
9 & 10	15	9" VIDEO
9 & 11	21	12" VIDEO

WIRING DIAGRAM

-01 THRU -05 SHOWN

UNLESS OTHERWISE SPECIFIED	DRAWN BY K. CHRISTENSEN	DATE 8-13-88	COMMODORE POWER SUPPLY ASSY. 8032
TOLERANCES UNLESS OTHERWISE SPECIFIED	CHKD BY N.P.	APPROVED BY [Signature]	
MATERIAL	USED ON PET	NEAT ASBY	SIZE D 8032051 SCALE NONE
FINISH	8032 8016	8032008 8016002	REV E SHEET 3 OF 3

BASIC CIRCUIT DIAGRAM (CDU-B80-CMD12)



commodore	
PCB SCHEMATIC	
12" CRT DISPLAY	
REV 7	SHEET 1 OF 1
SIZE B	SCALE NONE
321448	

NOTES
 Waveforms are measured at the points indicated with (Ⓢ)

